

INDAR**SP HE**Pumps and motors
submersible

The INDAR SP (Submersible Pump) **HE** series offers submersible pumps and motors designed for pumping solutions such as drainage, storm water, dry dock, fish and shrimp farms, sea water and/or solid containing liquids, in a wide range of applications. INDAR **HE** pumps are mono block design with an axial impeller or variable pitch propeller coupled to an INDAR submersible motor. These pumps are designed to operate in harsh environments for municipal and industrial applications, for water treatment or raw water applications. All parts of the pump and the motor are designed and manufactured by INDAR in Spain.

The axial propeller design ensures a wide and free passage of the pumping liquid and prevents clogging. An efficient cooling system by using the pumping liquid, (flowing alongside the motor), allow the unit to operate continuously even under severe environmental conditions. The different installation options, along with a wide range of materials, make INDAR HE series a highly-versatile product which provides perfect solutions to an infinite range of applications.

Applications:

Drinking water supply for industrial processes, irrigation installations, booster units or pumping from tanks. Collection of water from the sea, rivers, lakes and underground water. Fire prevention installations.

Features

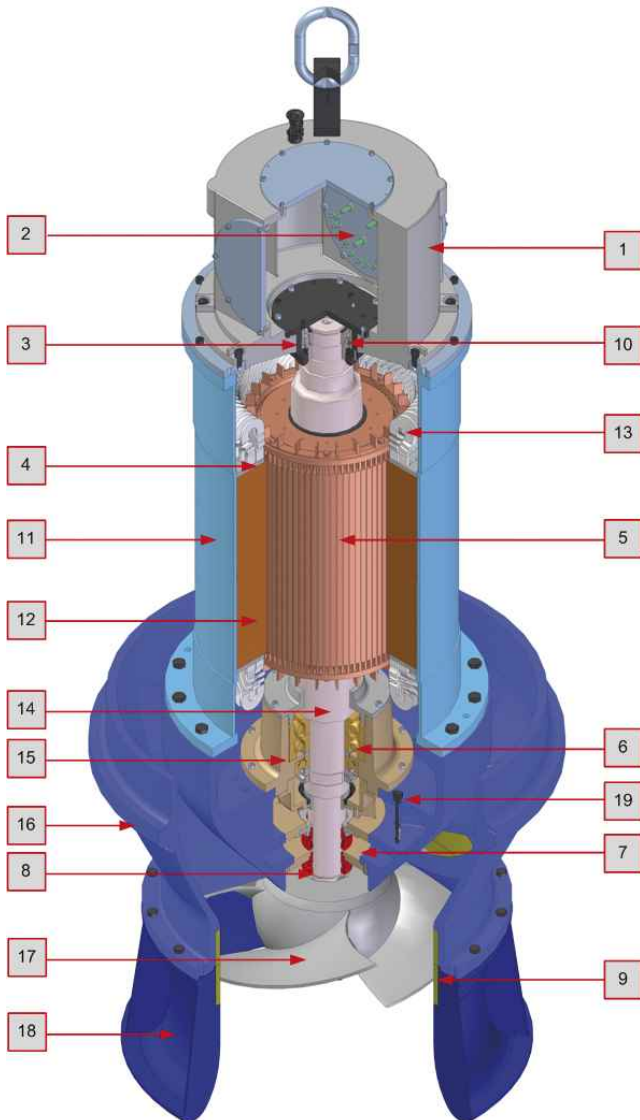
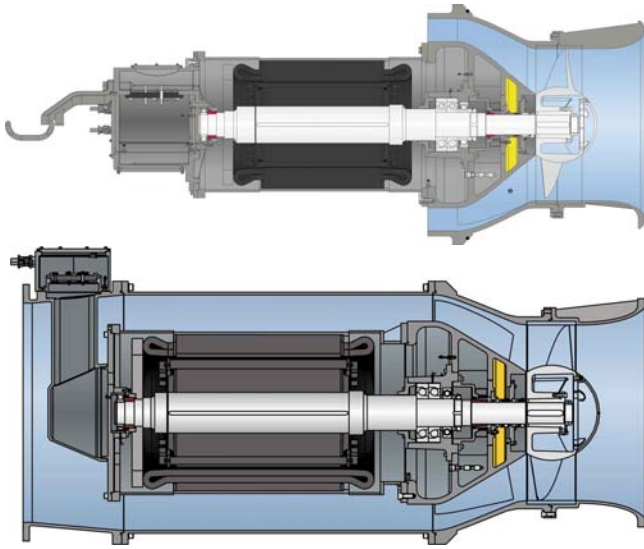
Flow
TDH
Power
Voltage
Speed
Materials
Type of installation

Ranges

1150 m³/h-21000 m³/h (5066 GPM-92500 GPM)
3 mWC-25 mWC (10 FT-82 FT)
50 kW-1000 kW (67 HP-1340 HP)
220V-11kV
485 rpm-1750 rpm
Cast iron, bronze, stainless steel (316, 904L, Duplex, Super Duplex)
Free discharge, Pressurized or with Non Return Valve discharge, Discharge with siphon and long pipe discharge, Jacketed H type - compact design with jacket

www.ingeteam.com
indarmh@indar.ingeteam.com

Indar
An *Ingeteam* brand



Installation options

- Free discharge
- Pressurized or with non return valve discharge
- Discharge with siphon and long pipe discharge
- H type, compact design with jacket

Depending of the pumping fluid characteristics, the HE and H series pumps can be offered in various materials, such as also stainless steel which makes the pump highly-resistant against abrasion and corrosion. All units are equipped with high-quality mechanical seals to ensure the utmost protection of the INDAR submersible electric motors.

Range of materials

Iron
Bronze
Stainless steel:
304
316
904L
Duplex
Super Duplex

The HE series is a safe, robust, flexible solution with a modular design, offering a wide range of flows rates and discharge pressures.

- 1 Cable outlet lid
- 2 Terminal tablet
- 3 Upper bearing temperature sensor
- 4 Windings thermal protection
- 5 Rotor
- 6 Bearings
- 7 Oil chamber
- 8 Mechanical seals
- 9 Wearing ring (special, on demand)
- 10 Bearings
- 11 Stator casing
- 12 Stator
- 13 Coil heads
- 14 Common shaft for impeller and rotor
- 15 Lower bearing temperature sensor
- 16 Pump body
- 17 Impeller
- 18 Suction nozzle
- 19 Humidity sensor in overflow chamber