

**MEDIUM VOLTAGE
POWER STATION
CUSTOMIZED UP
TO 7.65 MVA,
WITH ALL THE
COMPONENTS
SUPPLIED ON TOP
OF THE SAME
SKID PLATFORM**

From 2500 up to 7650 kVA

This medium-voltage solution integrates all the necessary elements to develop a large-scale solar PV plant.

Maximize your investment with a minimal effort

Ingeteam's FSK power station is a compact, customizable and flexible solution that can be configured to suit each customer's requirements. It is supplied together with up to two photovoltaic inverters. All the equipment is suitable for outdoor installation, so there is no need of any kind of housing.

Higher adaptability and power density

This power station is now more versatile, as it presents the MV transformer integrated into a steel platform together with the LV and MV components, including the PV inverters. Moreover, it features one of the market's greatest power densities.

Plug & Play technology

This MV solution integrates power conversion equipment (up to 7.65 MVA), liquid-filled hermetically sealed transformer up to 38 kV and

provision for low voltage equipment. The MV Skid is delivered pre-assembled for a fast on-site connection with up to two PV inverters from Ingeteam's INGECON® SUN 3Power C Series inverter family.

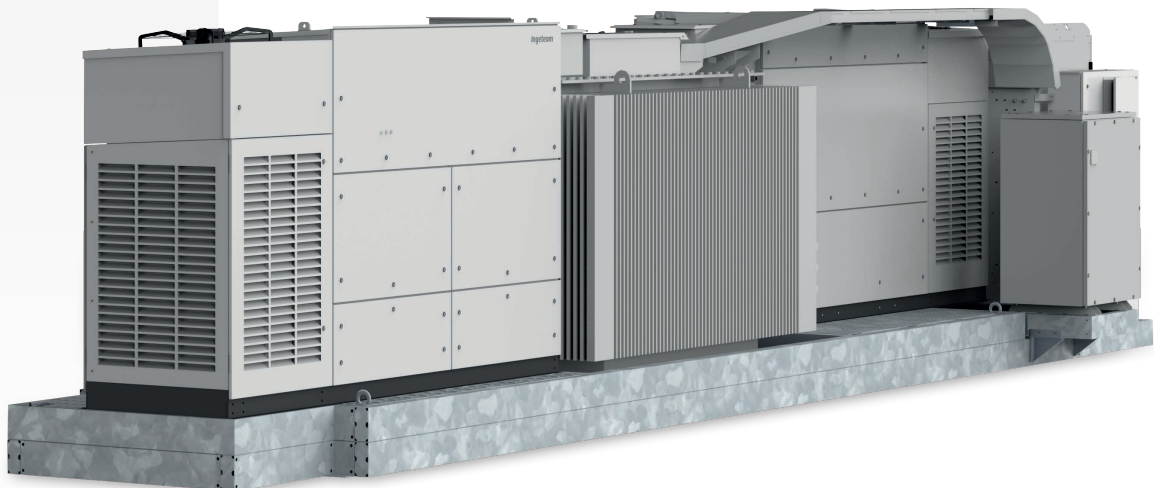
Complete accessibility

Thanks to the lack of housing, the inverters, the switchgear and the transformer can have immediate access. Furthermore, the design of the 3Power C Series central inverters has been conceived to facilitate maintenance and repair works.

Maximum protection

Ingeteam's 3Power C Series central inverters feature an IP65 protection class for their power stacks thanks to a combined water and air cooling system that optimises the operating temperature of the power electronics.

Apart from that, they feature the main electrical protections and they deploy grid support functionalities, such as low voltage ride-through capability, reactive power deliverance and active power injection control.



CONSTRUCTION

- Steel base frame.
- Suitable for slab or piers mounting.
- Compact design, minimising freight costs.
- Minimum installation at project site.

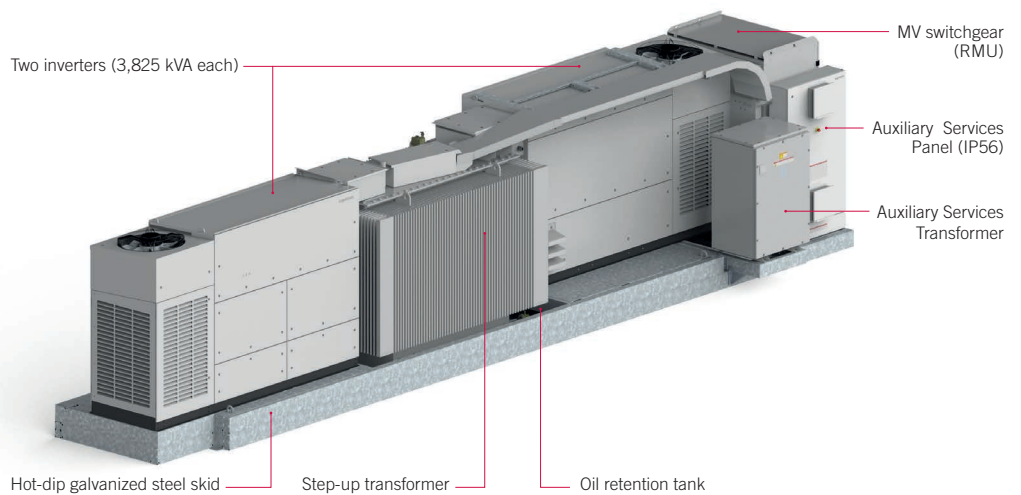
OPTIONAL ACCESSORIES

- Auxiliary services transformer (up to 60 kVA, Dyn11).
- MV Surge arresters.
- Auxiliary services panel (IP56)
- Power plant commissioning.
- High-speed Ethernet / fibre optic communication infrastructure for Plug & Play connection to the Power Plant Controller and/or SCADA systems.
- INGECON® SUN StringBox with 16 / 24 / 32 input channels. Intelligent or passive string combiner box.
- Energy meter for auxiliary services and/or energy production.
- Insulation monitoring relay for continuous monitoring of IT systems insulation.
- Reactive power regulation when there is no PV power available.
- Ground connection of the PV array.

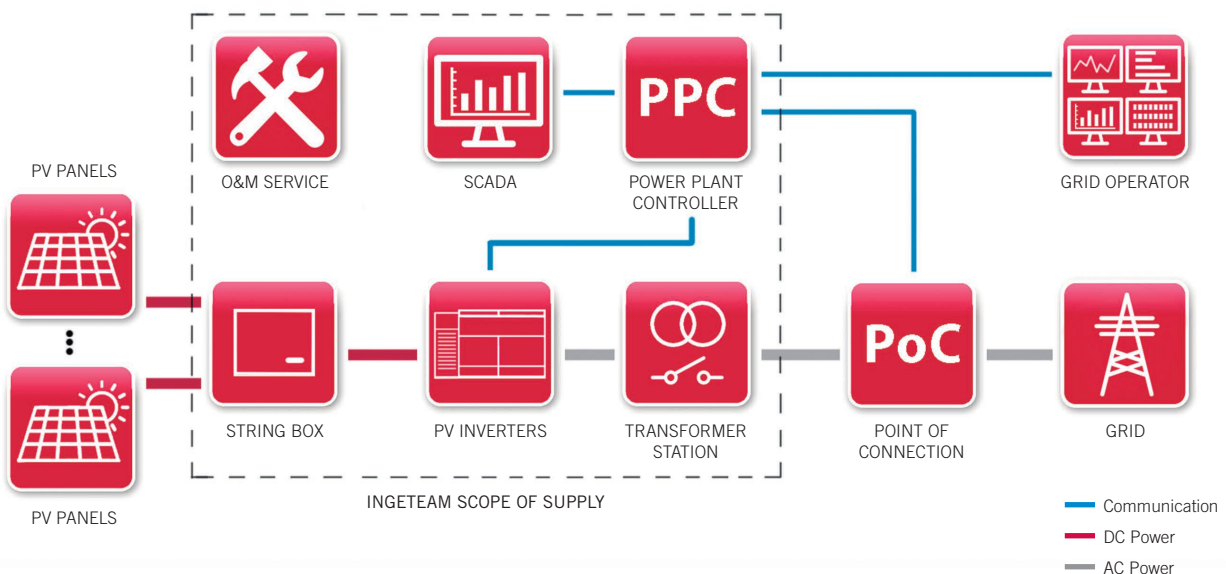
STANDARD EQUIPMENT

- Up to two inverters with an output power of 7.65 MVA.
- Liquid-filled hermetically-sealed transformer up to 38 kV.
- 1L1A MV switchgear (2L1A optional).
- Oil-retention tank.
- Metal frame for installation of LV equipment.

COMPONENTS



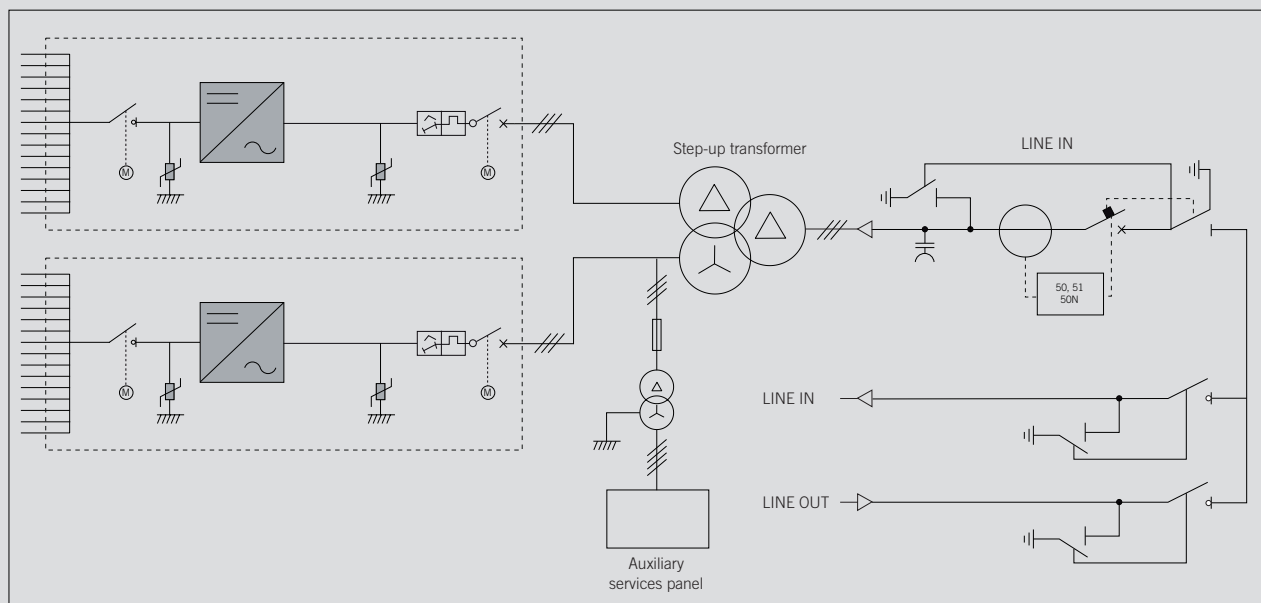
PLANT CONFIGURATION



	3825 FSK C Series	7650 FSK C Series
General information		
Number of inverters	1	2
Max. power. @35 °C / 95 °F ⁽¹⁾	3,824 kVA	7,648 kVA
Operating temperature range	from -5 °C to +50 °C	
Relative humidity (non condensing)	0 - 100%	
Maximum altitude	3,000 masl (power derating starting at 1,000 masl)	
LV/MV Transformer		
Medium voltage	From 20 kV up to 35 kV, 50-60 Hz	
Cooling system	ONAN (KNAN optionally)	
Minimum PEI (Peak Efficiency Index) ⁽²⁾	99,50%	
Protection degree	IP54	
MV Switchgear (RMU)		
Medium voltage	24 kV / 36 kV / 40.5 kV	
Rated current	630 A	
Cooling system	Natural air ventilation	
Protection degree	IP54 (IP55 optionally)	
Equipment		
Auxiliary services panel	Standard version (optional monitoring system)	
Step-up transformer	Oil-immersed hermetically sealed transformer	
MV Switchgear	1L1A cells (2L1A optional)	
Mechanical information		
Structure type	Hot dip galvanized steel skid	
Dimensions Full Skid (W x D x H)	9,500 x 2,600 x 2,620 mm	11,390 x 2,600 x 2,620 mm
Full Skid	16 T	25 T
Standards	IEC 62271-212, IEC 62271-200, IEC 60076, IEC 61439-1	

Notes: ⁽¹⁾ Maximum power calculated with the inverter model INGECON® SUN 3825TL C690. For other inverter models, please contact Ingeteam's Solar sales department ⁽²⁾ For European installations, ECO design according to the EU 548/2014 and EU 2019/1783 standards.

Configuration with two C Series solar inverters



Ingeteam

Ingeteam Power Technology, S.A.
Avda. Ciudad de la Innovación, 13
31621 Sarriguren (Navarra) - Spain
Tel.: +34 948 288 000
Fax: +34 948 288 001
e-mail: solar.energy@ingeteam.com

Ingeteam S.r.l.
Via Emilia Ponente, 232
48014 Castel Bolognese (RA) - Italy
Tel.: +39 0546 651 490
Fax: +39 054 665 5391
e-mail: italia.energy@ingeteam.com

Ingeteam SAS
La Naurouze B - 140 rue Carmin
31670 Labège - France
Tel.: +33 (0)5 61 25 00 00
Fax: +33 (0)5 61 25 00 11
e-mail: france@ingeteam.com

Ingeteam INC.
3550 W. Canal St.
Milwaukee, WI 53208 - USA
Tel.: +1 (414) 934 4100 / +1 (855) 821 7190
Fax: +1 (414) 342 0736
e-mail: solar.us@ingeteam.com

Ingeteam, a.s.
Technologická 371/1
70800 Ostrava - Pustkovec
Czech Republic
Tel.: +420 59 747 6800
Fax: +420 59 732 6899
e-mail: czech@ingeteam.com

Ingeteam Shanghai, Co. Ltd.
Shanghai Trade Square, 1105
188 Si Ping Road
200086 Shanghai - P.R. China
Tel.: +86 21 65 07 76 36
Fax: +86 21 65 07 76 38
e-mail: shanghai@ingeteam.com

Ingeteam, S.A. de C.V.
Leibnitz Ext 13 Int 1102, Colonia Anzures
11590 - Miguel Hidalgo
Ciudad de México - Mexico
Tel.: +52 81 8311 4858
Fax: +52 81 8311 4859
e-mail: northamerica@ingeteam.com

Ingeteam Ltda.
Rua Estácio de Sá, 560
Jd. Santa Genebra
13080-010 Campinas/SP - Brazil
Tel.: +55 19 3037 3773
e-mail: brazil@ingeteam.com

Ingeteam Pty Ltd.
Unit 2 Alphen Square South
16th Road, Randjiespark
Midrand 1682 - South Africa
Tel.: +2711 314 3190
Fax: +2711 314 2420
e-mail: southafrica@ingeteam.com

Ingeteam SpA
Los militares 5890, Torre A, oficina 401
7560742 - Las Condes
Santiago de Chile - Chile
Tel.: +56 2 29574531
e-mail: chile@ingeteam.com

Ingeteam Power Technology India Pvt. Ltd.
2nd Floor, 431
Udyog Vihar, Phase III
122016 Gurgaon (Haryana) - India
Tel.: +91 124 420 6491-5
Fax: +91 124 420 6493
e-mail: india@ingeteam.com

Ingeteam Sp. z o.o.
Ul. Koszykowa 60/62 m 39
00-673 Warszawa - Poland
Tel.: +48 22 821 9930
Fax: +48 22 821 9931
e-mail: polska@ingeteam.com

Ingeteam Australia Pty Ltd.
iAccelerate Centre, Building 239
Innovation Campus, Squires Way
North Wollongong, NSW 2500 - Australia
Tel.: +61 429 111 190
e-mail: australia@ingeteam.com

Ingeteam Panama S.A.
Av. Manuel Espinosa Batista,
Ed. Torre Internacional
Business Center, Apto./Local 407
Urb.C45 Bella Vista
Bella Vista - Panama
Tel.: +50 761 329 467

Ingeteam Service S.R.L.
Bucuresti, Sector 2,
Bulevardul Dimitrie Pompeiu Nr 5-7
Cladirea Hermes Business
Campus 1, Birou 236, Etaj 2
Romania
Tel.: +40 728 993 202

Ingeteam Philippines Inc.
Office 2, Unit 330, Milelong Bldg.
Amorsolo St. corner Rufino St.
1230 Makati
Gran Manila - Philippines
Tel.: +63 0917 677 6039

Ingeteam Power Technology, S.A.
Level 1, Al Bateen Tower C6 Bainunah
ADIB Building, Street 34
PO BOX 30010 - Abu Dhabi
United Arab Emirates
Tel.: +971 50 125 8244

Ingeteam Vietnam Ltd.
Spaces - 28A Tran Hung Dao Street
Phan Chu Trinh Ward
Hoan Kiem District
Ha Noi City - Vietnam
Tel.: +84 24 71014057
e-mail: vietnam@ingeteam.com

Ingeteam Uruguay, S.A.
Avenida 18 de Julio, 1474, Piso 12
11200, Montevideo, Uruguay
Tel.: +598 934 92064