

## FROM 2 UP TO 7.32 MVA

### MEDIUM VOLTAGE POWER STATION CUSTOMIZED UP TO 7.32 MVA, WITH ALL THE COMPONENTS SUPPLIED ON TOP OF THE SAME SKID PLATFORM

This medium-voltage solution integrates all the devices required for a multi-megawatt battery energy storage system.

#### Maximize your investment

with a minimal effort Ingeteam's FSK power station is a compact, customizable and flexible solution that can be configured to suit each customer's requirements. It is supplied together with up to two storage inverters. All the equipment is suitable for outdoor installation, so there is no need of any kind of housing.

#### Higher adaptability and power density

This power station is now more versatile, as it presents the step-up transformer integrated into a steel platform together with the LV and MV components, including the storage inverters. Moreover, it features one of the market's greatest power densities.

#### Plug & Play technology

This MV solution integrates power conversion equipment (up to 7.32 MVA), liquid-filled hermetically sealed transformer and provision for low voltage equipment. The MV Skid is delivered pre-assembled for a fast onsite connection with up to two storage inverters from Ingeteam's INGECON® SUN STORAGE 3Power C Series inverter family. The full skid is lifted as a single block and it is transported within an open top 40 ft container.

#### Complete accessibility

Thanks to the lack of housing, the inverters, the switchgear and the transformer can have immediate access. Furthermore, the design of the 3Power C Series storage inverters has been conceived to facilitate maintenance and repair works.

#### Maximum protection

Ingeteam's 3Power C Series storage inverters feature an IP65 protection class for their power stacks thanks to a combined water and air cooling system that optimises the operating temperature of the power electronics.

Apart from that, they feature the main electrical protections and they deploy grid support functionalities, such as low voltage ride-through capability, reactive power deliverance and active power injection control.

## FROM 2 UP TO 7.32 MVA

### Medium voltage power station customized up to 7.32 MVA, with all the components supplied on top of the same skid platform

#### Construction

- Steel base frame.
- Suitable for slab or piers mounting.
- Compact design, minimising freight costs.
- Minimum installation at project site.

#### Optional accessories

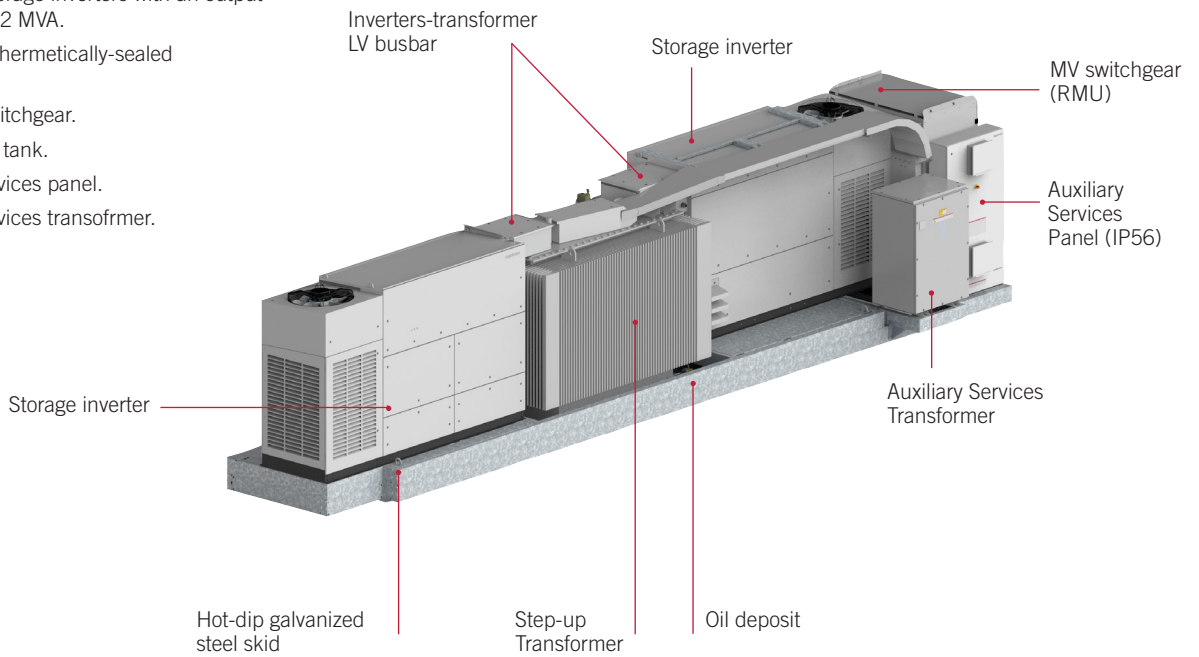
- Auxiliary services transformer (up to 60 kVA, Dyn11).
- Self-powered auxiliary services panel.
- MV Surge arresters.
- High-speed Ethernet / fibre optic communication switch.

- Energy meter for energy production.

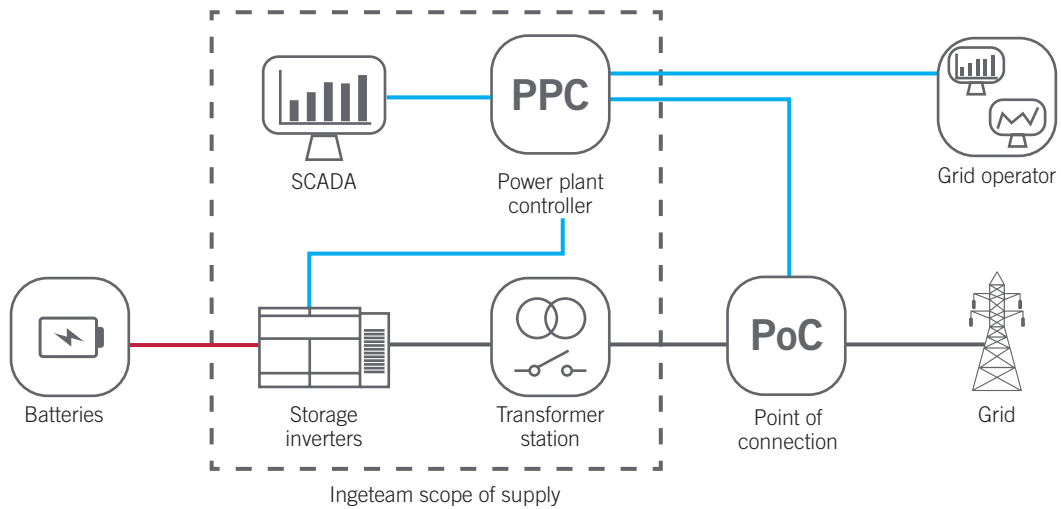
#### Standard equipment

- Up to two storage inverters with an output power of 7.32 MVA.
- Liquid-filled hermetically-sealed transformer.
- 2L1C MV switchgear.
- Oil-retention tank.
- Auxiliary services panel.
- Auxiliary services transformer.

#### Components



#### Plant configuration



3660 FSK C Series

7320 FSK C Series

GENERAL INFORMATION

Number of inverters	1	2
Max. power. @35 °C / 95 °F <sup>(1)</sup>	3,658.1 kVA	7,316.2 kVA
Operating temperature range	from -20 °C to +60 °C	
Relative humidity (non condensing)	0 - 100%	
Maximum altitude	3,000 masl (power derating starting at 1,000 masl)	

STEP-UP TRANSFORMER

Medium voltage	36 kV, 50-60 Hz
Cooling system	ONAN (KNAN optionally)
Minimum PEI (Peak Efficiency Index) <sup>(2)</sup>	99.50%
Protection degree	Readiness for outdoor installation

MV SWITCHGEAR (RMU)

Medium voltage	24 kV / 36 kV / 40.5 kV
Rated current	630 A
Cooling system	Natural air ventilation
Protection degree	IP54

EQUIPMENT

Auxiliary services panel	IP54 self-powered LV panel
Step-up transformer	Oil-immersed hermetically sealed transformer
MV Switchgear	2L1C RMU as standard (0L1C1L, 1L1C & 0L1C optional)

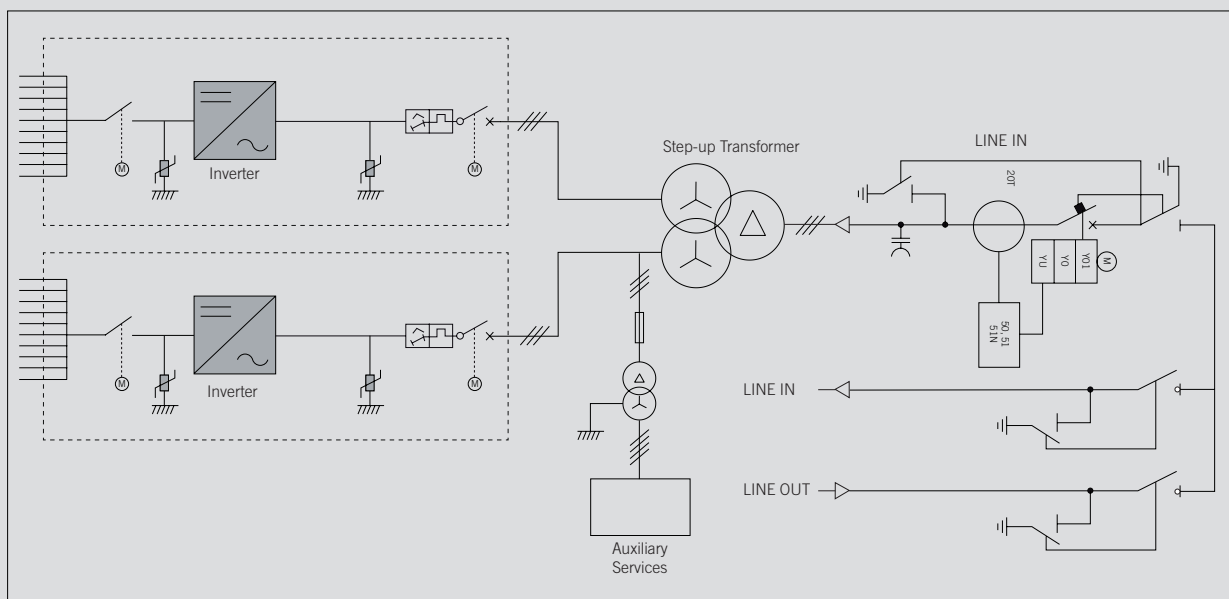
MECHANICAL INFORMATION

Structure type	Hot dip galvanized steel skid	
Dimensions Full Skid (W x D x H)	9,500 x 2,600 x 2,620 mm	11,390 x 2,600 x 2,620 mm
Full Skid	16 T	25 T
Standards	IEC 62271-212, IEC 62271-200, IEC 60076, IEC 61439-1	

Notes

- (1) Maximum power calculated with the inverter model INGECON® SUN STORAGE 3660TL C660. For other battery inverter models, please contact Ingeteam's BESS sales department
- (2) For European installations, ECO design according to the EU 548/2014 and EU 2019/1783 standards.

Example of configuration with two C series storage inverters



**Ingeteam Power Technology S.A. - Energy**

Sarriguren (Navarra), ESPAÑA  
(+34) 94 828 80 00  
energy@ingeteam.com

**Ingeteam Power Technology S.A. - Paneles**

Sesma (Navarra), ESPAÑA  
(+34) 94 869 84 55  
paneles@ingeteam.com

**Ingeteam Power Technology S.A. - Service**

Albacete, ESPAÑA  
(+34) 96 724 55 04  
service@ingeteam.com

**Ingeteam Power Technology S.A. - Technology**

Zamudio (Bizkaia), ESPAÑA  
(+34) 94 403 96 00  
technology@ingeteam.com

**Ingeteam Power Technology S.A. - Electronics**

Zamudio (Bizkaia), ESPAÑA  
(+34) 94 403 96 00  
ingeteam.electronics@ingeteam.com

**Ingeteam Power Technology S.A. - Converters**

Ortuella (Bizkaia), ESPAÑA  
(+34) 94 403 96 00  
technology@ingeteam.com

**Ingeteam Indar Machines S.A.**

Beasain (Gipuzkoa), ESPAÑA  
(+34) 94 302 82 00  
indar@ingeteam.com

**Ingeteam R&D Europe, S.L.**

Zamudio (Bizkaia), ESPAÑA  
(+34) 94 403 96 00

**Ingeteam SAS**

Labège, FRANCIA  
33 (0) 5 61 25 00 00  
france@ingeteam.com

**Ingeteam UK LTD**

East Kibride, REINO UNIDO  
+44 (0) 141 488 5290

**Ingeteam S.r.l**

Castel Bolognese (RA), ITALIA  
(+39) 0546 651490  
Italia.energy@ingeteam.com

**Ingeteam GmbH**

Düsseldorf, ALEMANIA  
+49 (0) 211 7817 7950  
deutschland@ingeteam.com

**Ingeteam a.s.**

Ostrava-Pustkovec, REPÚBLICA CHECA  
+42(0) 59 747 68 20  
czech@ingeteam.com

**Ingeteam Sp.zo.o.**

Warsaw, POLONIA  
+48 22 821 99 30  
polska@ingeteam.com

**Ingeteam Service s.r.l.**

Constanta, RUMANIA  
(+40) 728 993 202

**Ingeteam Bulgaria EAD**

Kavarna, BULGARIA

**Ingeteam Inc Headquarters**

Milwaukee, EE.UU.  
(+1) 414 934 4100  
usa@ingeteam.com

**Ingeteam México S.A. de C.V.**

Ciudad de México, MÉXICO  
(+52) 55 6586 9930  
northamerica@ingeteam.com

**Ingeteam México S.A. de C.V.**

Juchitán (Oaxaca), MÉXICO  
+52 971 281 0996  
service@ingeteam.com

**Ingeteam SpA**

Las Condes, Santiago CHILE  
(+56) 232 637 200  
chile@ingeteam.com

**Ingeteam Uruguay S.A.**

Montevideo, URUGUAY  
+59 8 2623 2805

**Ingeteam Panamá S.A.**

Penonomé, PANAMÁ  
(507) 66444834  
service@ingeteam.com

**Ingeteam Ltda.**

São Paulo, BRASIL  
(+55) 19 30 37 37 73  
brazil@ingeteam.com

**Ingeteam Ltda.**

Curitiba, BRAZIL  
(+55) 41 32769841  
brazil@ingeteam.com

**Ingeteam Power Technology Shanghai Co., Ltd**

Shanghai, CHINA  
+86 139 1622 4886  
liu.yimin@ingeteam.com

**Ingeteam Vietnam CO., LTD**

Hanoi City, VIETNAM

**Ingeteam Power Technology SA**

Abu Dhabi, UAE  
+971 2 207 666

**Ingeteam Power Technology India Pvt. Ltd.**

Tamilnadu, INDIA

**Ingeteam Morocco SARLAU**

Casablanca, MARRUECOS

**Ingeteam Australia Pty Ltd**

North Wollongong, AUSTRALIA